

## IMCOS-5732-SE TV-FM-AM Omni-directional antenna 0.1-30 / 40-860 MHz



### Product description

IMCOS-5732-SE is a omni-directive TV-FM-AM antenna suitable for marine installation.

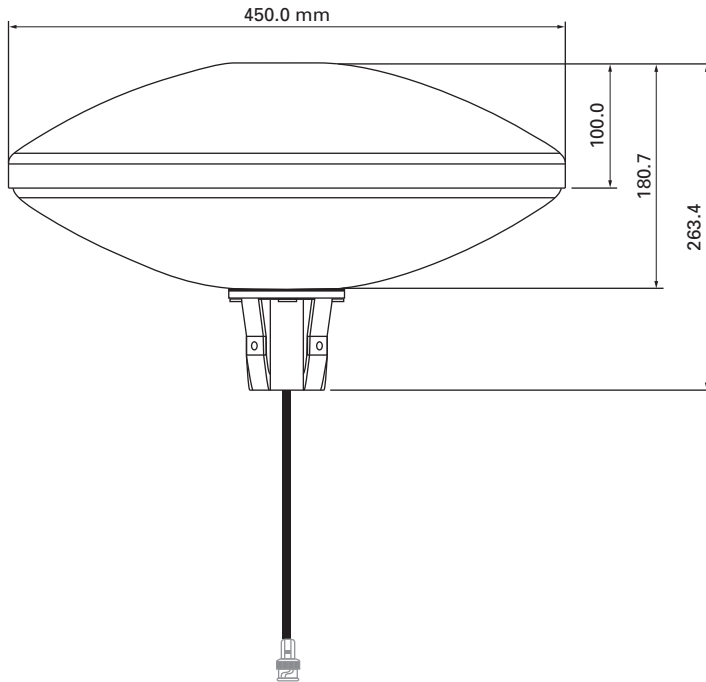
### Features

- Non corrodible material shell. White colour RAL 9010
- Metal base in aluminium die-cast, black finishing with stainless steel bolts
- Automatic level control on 3 bands
- High efficiency suppression filters to prevent interference from VHF 156 MHz, AIS 162 MHz, LTE/4G 790 MHz
- To be mounted as high and far away as possible from transmitting antennas and radars to avoid interferences

## Specifications

Material	Housing: ABS - white colour RAL9010. Mounting base: aluminium die-cast [ADC6] Finishing: black paint, 50 mm/2"
Termination	BNC female connector
Dimensions	Height 260/180 mm, diameter 450 mm
Weight	3.40 Kg
Frequency range	0.1 – 30 MHz and 40 – 860 MHz
Gain	12 – 25 dB
ALC Output level	95–100 dBuV max
Noise figure	<4.5 dB
Output impedance	75 Ohm
Supply voltage	15 V DC
Supply current	Approx. 200 mA
Power consumption	3 W
Operation temperature range	-40 /+60 °C

## IMCOS-5732-SE Dimensions & fixing



Mechanical measurements  
Shell and metal base

## Ordering requirements

The following code is designed to help in selection of the correct unit. Build up the reference number by inserting the code for each component into the appropriate box.

### Model

IMCOS-5732-SE

### Accessories

x

IMCOS-5732-PWR-SE

Aluminium dome  
with bracket

All specifications, dimensions, weights and tolerances are nominal (typical) and Gitiessse reserve the right to vary all data without prior notice. No liability is accepted for any consequence of use.

IMCOS™ System is type approved by seven marine class societies.